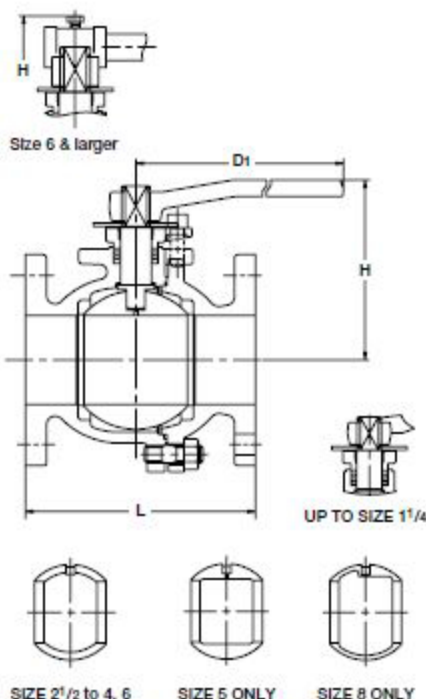


120°C Non-shock water 1.37MPa, 120°C Water, oil, gas 0.98MPa  
Saturated steam 0.69MPa

Fig. 10FCTB



Blowout-proof stem



### Materials

Parts	Material	JIS Spec.
<b>Body</b>	Cast Iron	FC200
<b>Body cap</b>	Cast Iron	FC200
<b>Stem</b>	Stainless Steel	SUS403
<b>Ball</b>	Stainless Steel	SCS13A or SUS304 or SUS304TP
<b>Grand packing</b>		PTFE
<b>Gasket</b>		PTFE
<b>Ball Seat</b>		PTFE
<b>Cap bolt</b>	Carbon Steel	SS400
<b>Handle</b>	Ductile Iron	FCD400

### Design Specifications

Items	
<b>Shell wall thickness and general valve design</b>	KITZ Standard
<b>Face-to-face dimensions End-to-end dimensions</b>	KITZ Standard
<b>End flange dimensions Gasket contact facing</b>	JIS B2239 10K

### Dimensions

Valve Size	inch	1/2	3/4	1	1 1/4	1 1/2	2	2 1/2	3	4	5	6	8	10
	mm	15	20	25	32	40	50	65	80	100	125	150	200	250*
<b>L</b> Face-to-face		110	120	130	140	165	180	190	200	230	300	340	450	533
<b>H</b> Height		102	105	124	128	114	121	154	163	199	219	292	352	477
<b>D</b> Handle		130	130	160	160	230	230	400	400	460	460	1000	1500	-

\*Note: Gear Operated. Contact KITZ or KITZ distributors for details.