

120°C Non-shock water 1.37MPa, 120°C Water, oil, air 0.98MPa
 120°C Gas 0.20MPa, Saturated steam 0.69MPa

Designed to JIS B2031

Fig. 10FCJ

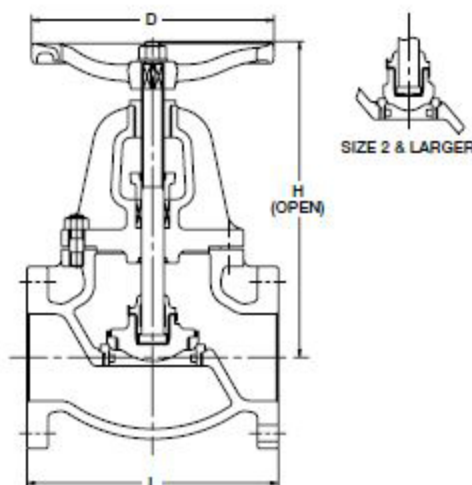
- Bronze trim

Fig. 10FCJS

- Stainless steel trim (13 Cr.)

Fig. 10FCJU

- Stainless steel trim (18-8)



Materials

Parts	Material	JIS Spec.		
		10FCJ	10FCJS	10FCJU
Body	Cast Iron	FC200		
Bonnet	Cast Iron	FC200		
Stem	Brass/Stainless Steel	C3771BD	SUS403	SUS304
Disc	1 1/4 & 2	Brass/Stainless Steel	CAC406	SUS403
	2 1/2 & larger	Cast Iron	FC200	
Disc seat ring	Brass/Stainless Steel	CAC406	SUS403	SUS304
Body seat ring	Bronze	CAC406	SUS403	SUS304
Gland	1 1/2 to 14	Ductile Iron		
Gland packing	Asbestos-free			
Gasket	Asbestos-free			
Gland bolt/nut	Carbon Steel	SS400		
Bonnet bolt/nut	Carbon Steel	SS400		
Yoke bushing	Bronze	CAC406		
Hand wheel	1 1/2 to 6	Cast Iron		
	8 only	Ductile Iron		
	10 only	Cast Iron		

Design Specifications

Items	
Shell wall thickness and general valve design	JIS B2031
Face-to-face dimensions End-to-end dimensions	JIS B2031
End flange dimensions Gasket contact facing	JIS B2239 10K

Dimensions

Valve Size	inch mm	1 1/2	2	2 1/2	3	4	5	6	8
L Face-to-face		190	200	220	240	290	360	410	500
H Height (OPEN)		260	277	307	353	404	454	533	642
D Handwheel Diameter		160	180	180	225	280	300	350	450

mm