

# GD-6N

## Features

1. High accurate controllability of reduced pressure even at small flow rate.
2. Simple in structure, less prone to fail and easy to maintain.
3. Compact and lightweight.
4. Easy to install due to screwed connections.
5. Highly wear-resistance and durability of stainless steel made valve and valve seat. A screen (60 mesh) is incorporated to protect the valve and valve seat from dirt such as pipe scale and pipe chips.

## Specifications

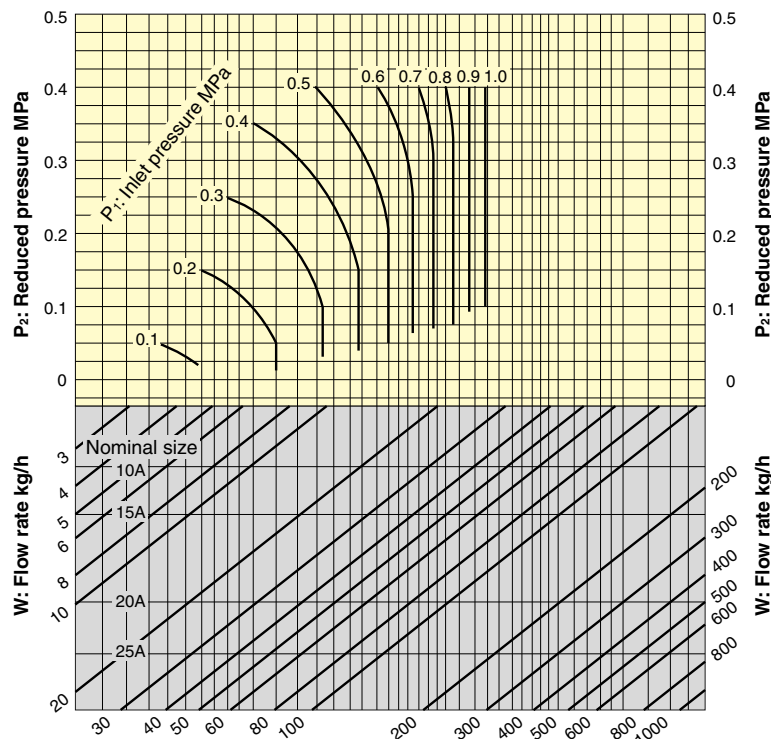
Model	GD-6N	
Application	Steam	
Inlet pressure	1.0 MPa or less	
Reduced pressure	(A) 0.02-0.1 MPa (B) 0.1-0.4 MPa	
Minimum differential pressure	0.05 MPa	
Maximum pressure reduction ratio	10:1	
Maximum temperature	220°C	
Valve seat leakage	0.1% or less of rated flow rate	
Material	Body	Ductile cast iron
	Valve, valve seat	Stainless steel
	Diaphragm	Stainless steel
Connection	JIS Rc screwed	

• Available with stainless steel wetted parts and all stainless steel made.

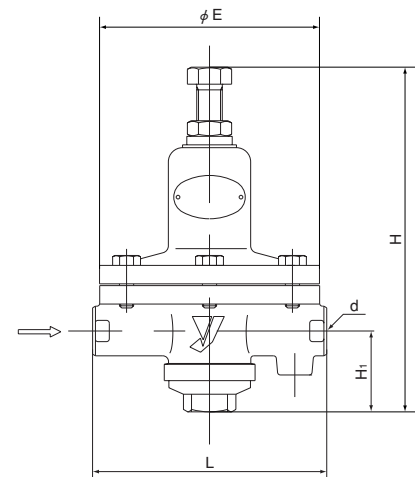
## Dimensions (mm) and Weights (kg)

Nominal size	d	L	H	H1	E	Weight
10A	Rc 3/8	165	243	57	155	5.5
15A	Rc 1/2	165	243	57	155	5.5
20A	Rc 3/4	185	267	76	175	8.2
25A	Rc 1	185	267	76	175	8.2

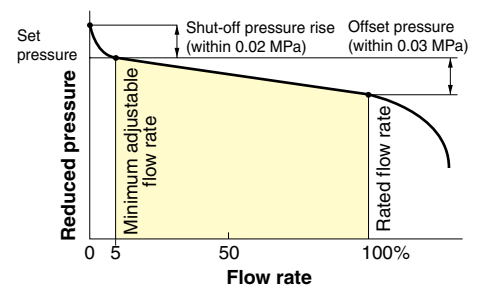
## Nominal Sizes Selection Chart (For Steam)



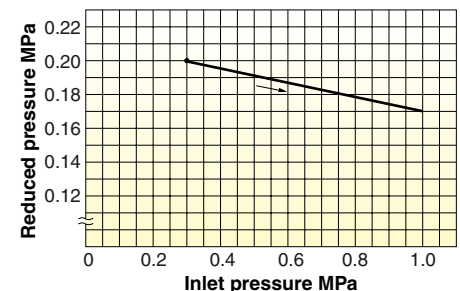
• Set the safety factor at 80 to 90%.



## Flow Characteristic Chart



## Pressure Characteristic Chart



This chart shows variation in reduced pressure when the inlet pressure of 0.3 MPa is changed between 0.3 MPa and 1.0 MPa while the reduced pressure is set at 0.2 MPa.