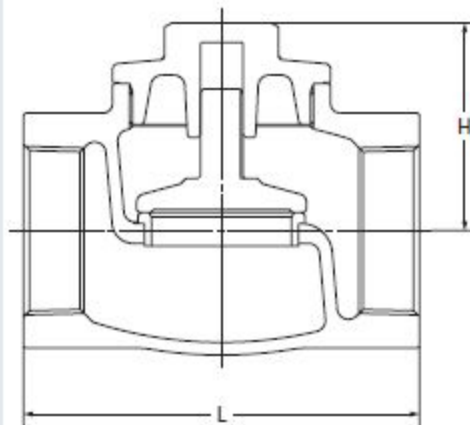
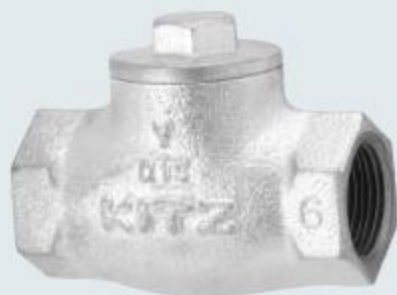


JIS 10K Lift Check Valve

10SF
S.C.



E-E dimension : JIS B 2051
End threads : JIS B 0203

120°C Static water..... 1.37MPa
220°C Steam, air, gas, oil..... 0.98MPa

●Use for lubricating or hydraulic oil is acceptable. Contact KITZ Corporation for technical advice, if valves are used as heat transfer media.

Materials

Parts	JIS material
Body	FCD-5
Cap	SUS 403
Disc	SUS 403
Body seat ring	SUS 403

Dimensions

mm

Size	mm	15	20	25	32	40	50
	inch	1/2	3/4	1	1 1/4	1 1/2	2
L		65	80	90	105	120	140
H		39	42	48	56	65	73