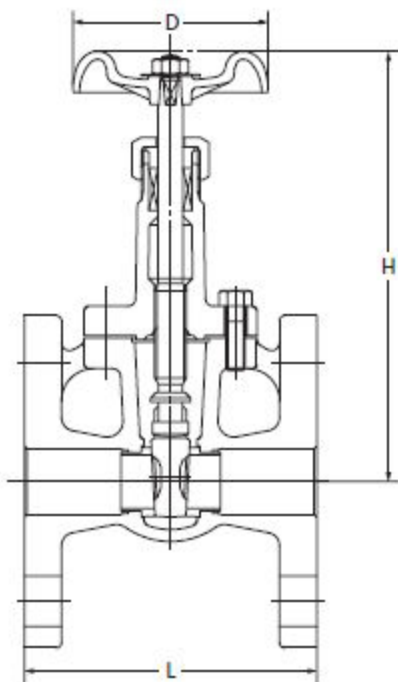


10K Gate Valve

10SMBF

B.B.I.S.

FF-flanged



F-F dimension : JV4-4

End flanges : JIS B 2239 10K

120°C Static water..... 1.37MPa

220°C Steam, air, gas, oil..... 1.18MPa

300°C Steam, air, gas, oil..... 0.98MPa

● Use for lubricating or hydraulic oil is acceptable. Contact KITZ Corporation for technical advice, if valves are used as heat transfer media.

Materials

Parts	JIS material
Body	FCD-5
Bonnet	FCD-5
Stem	SUS 420J2
Disc	SCS 1
Body seat ring	SUS 403
Gland	SUS 403 (1/2" ~ 1" : SUS 420J2)
Gland packing	Asbestos-free
Handwheel	FCD 450
Bonnet bolt	S45C
Gasket	Asbestos-free
Name plate	A1050P

Dimensions

mm

Size	mm	15	20	25	32	40	50
	inch	1/2	3/4	1	1 1/4	1 1/2	2
L		90	100	110	120	130	140
H (open)		164	165	188	219	253	285
D		70	70	80	90	100	115

NOTE : For flange dimensions refer to Page 40. ※RF-flanged ends shall be optionally available.