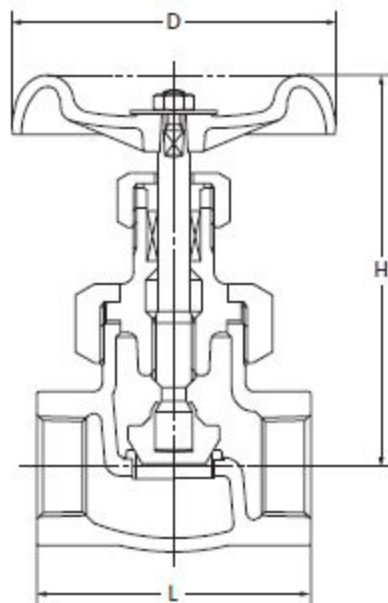


10K Globe Valve

10SP
U.B.I.S.



E-E dimension : JV 4-4*
End threads : JIS B 0203
*KITZ Std. for 3/8"

120°C Static water.....1.37MPa
220°C Steam, air, gas, oil.....1.18MPa
300°C Steam, air, gas, oil.....0.98MPa

- Use for lubricating or hydraulic oil is acceptable. Contact KITZ Corporation for technical advice, if valves are used as heat transfer media.
- Employment of copper gasket prohibits use of this valve for ammonia or amine chemicals.

Materials

Parts	JIS material
Body	FCD-S
Bonnet	FCD-S
Stem	SUS 420J2
Disc	SUS 403
Body seat ring	SUS 403
Gland	SUS 403 (1/2" & 3/4": SUS 420J2)
Gland packing	Asbestos-free
Packing nut	FCD-S
Handwheel	FCD 450
Wheel nut	SS 400
Bonnet ring	FCD-S
Gasket	C1100P-0
Name plate	A1050P

Dimensions

mm

Size	mm	10	15	20	25	32	40	50
	inch	3/8	1/2	3/4	1	1 1/4	1 1/2	2
L		64	70	80	90	110	120	140
H (open)		107	125	125	145	162	180	198
D		60	80	80	100	115	115	135