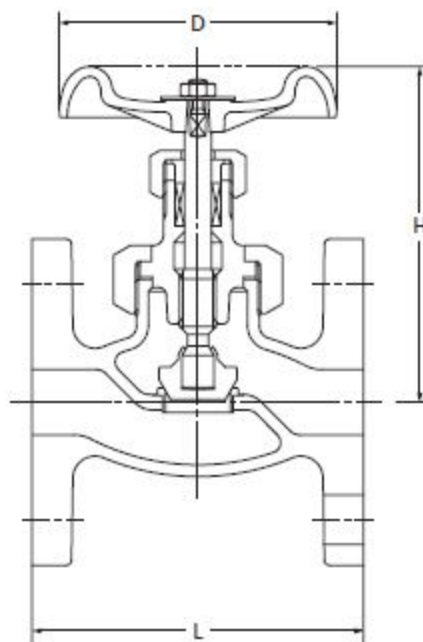


# 10K Globe Valve

10SPBF

U.B.I.S.

FF-flanged



F-F dimension : JIS B 2002\*  
 End flanges : JIS B 2239 10K  
 \*KITZ Std. for 3/8"

120°C Static water.....1.37MPa  
 220°C Steam, air, gas, oil.....1.18MPa  
 300°C Steam, air, gas, oil.....0.98MPa

- Use for lubricating or hydraulic oil is acceptable. Contact KITZ Corporation for technical advice, if valves are used as heat transfer media.
- Employment of copper gasket prohibits use of this valve for ammonia or amine chemicals.

## Materials

Parts	JIS material
Body	FCD-S
Bonnet	FCD-S
Stem	SUS 420J2
Disc	SUS 403
Body seat ring	SUS 403
Gland	SUS 403 (1/2" & 3/4": SUS 420J2)
Gland packing	Asbestos-free
Handwheel	FCD 450
Wheel nut	SS 400
Bonnet ring	FCD-S
Gasket	C1100P-0
Name plate	A1050P

## Dimensions

Size	mm							
	mm inch	10 3/8	15 1/2	20 3/4	25 1	32 1 1/4	40 1 1/2	50 2
L	108	108	117	127	140	165	203	
H (open)	107	125	125	145	162	180	198	
D	60	80	80	100	115	115	135	

NOTE : For flange dimensions refer to Page 40. ※RF-flanged ends shall be optionally available.