

GPK-2001 · 2003

Features

1. Superior to piston type valve in capacity and performance. Very effective in controlling inlet pressure and flow rate fluctuations.
2. Spherical main valve offers great sealability and great reduction of valve seat leakage (compliant with ANSI Class IV).
3. Remote control makes pressure adjustment easy, and the pressure setting is wide.
4. The GPK-2001 and GPK-2003 can be selected according to the loading air pressure.



GPK-2001 screwed type



GPK-2003 flanged type

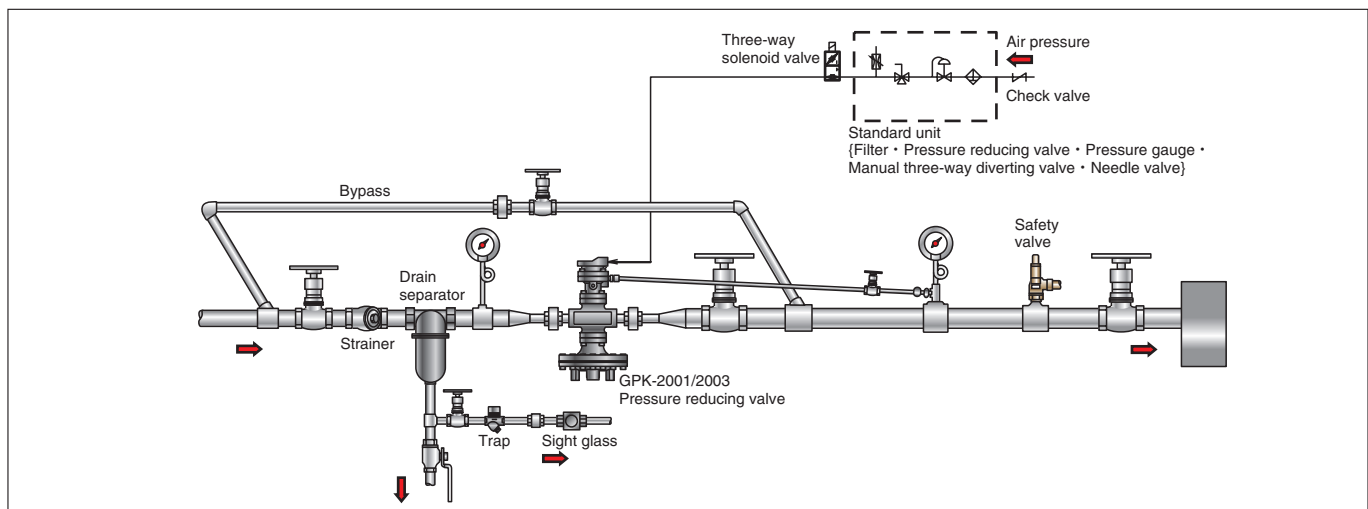
Specifications

Model		GPK-2001	GPK-2003
Application		Steam	
Reduced pressure sensing method		External sensing *	
Inlet pressure	JIS Rc	0.1-2.0 MPa	0.25-2.0 MPa
	JIS 20K RF		
	JIS 10K FF	0.1-1.0 MPa	0.25-1.0 MPa
Reduced pressure		0.05-0.9 MPa (0.85 MPa for JIS 10K)	0.2-1.4 MPa (0.85 MPa for JIS 10K)
Loading air pressure		85% or less of inlet pressure (gauge pressure)	
Minimum differential pressure		Refer to the loading air pressure-set pressure chart.	
Maximum differential pressure		0.05 MPa	
Maximum pressure reduction ratio		20:1	10:1
Maximum temperature		220°C	
Valve seat leakage		0.01% or less of rated flow	
Material	Body	Ductile cast iron	
	Main valve	Stainless steel	
	Valve seat	Stainless steel	
	Pilot valve	Stainless steel	
	Pilot valve seat	Stainless steel	
Diaphragm		Stainless steel	
Reduced pressure detection pipe		Copper pipe ϕ 8-2 m	
Connection		JIS Rc screwed JIS 20K RF and 10K FF flanged	

* External sensing is standard. Available with internal sensing type in different specifications. Note that the Cv value of internal sensing type is lower than that of external sensing type.

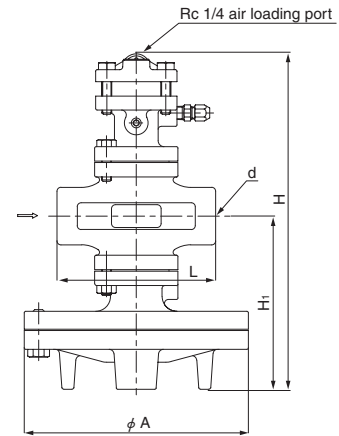
• Available with ASME or EN flanged.

Piping Example



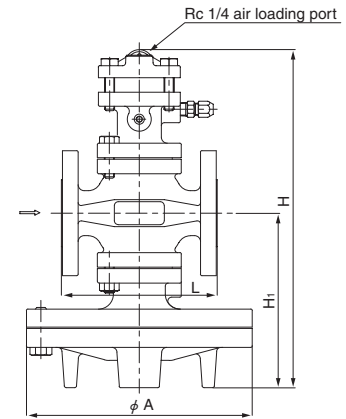
Dimensions (mm) and Weights (kg)
●GPK-2001 screwed type

Nominal size	d	L	H ₁	H	A	Weight
15A	Rc 1/2	150	170	335	200	14.0
20A	Rc 3/4	150	170	335	200	14.0
25A	Rc 1	160	175	341	226	18.5
32A	Rc 1-1/4	180	192	371	226	21.5
40A	Rc 1-1/2	180	192	371	226	21.5
50A	Rc 2	230	216	435	276	33.0

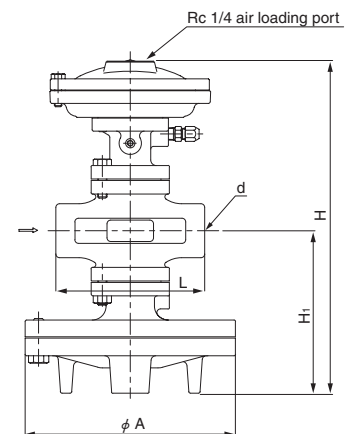

●GPK-2001 flanged type (JIS 20K RF)

Nominal size	L	H ₁	H	A	Weight
15A	146 (142)	170	335	200	15.5 (15.3)
20A	146 (142)	170	335	200	16.0 (15.8)
25A	156 (152)	175	341	226	21.0 (20.6)
32A	176 (172)	192	371	226	24.0 (23.4)
40A	196 (192)	192	371	226	24.5 (24.1)
50A	222 (218)	216	435	276	36.0 (35.8)
65A	282 (278)	251	489	352	64.5 (64.2)
80A	302 (294)	264	512	352	71.5 (69.3)
100A	342 (330)	321	595	401	111.0 (107.4)

• The above values in parentheses are the dimensions and weights of JIS 10K FF flanged.


●GPK-2003 screwed type

Nominal size	d	L	H ₁	H	A	Weight
15A	Rc 1/2	150	170	353	200	17.5
20A	Rc 3/4	150	170	353	200	17.5
25A	Rc 1	160	175	359	226	22.0
32A	Rc 1-1/4	180	192	389	226	25.0
40A	Rc 1-1/2	180	192	389	226	25.0
50A	Rc 2	230	216	453	276	36.5


●GPK-2003 flanged type (JIS 20K RF)

Nominal size	L	H ₁	H	A	Weight
15A	146 (142)	170	353	200	19.0 (18.8)
20A	146 (142)	170	353	200	19.5 (19.3)
25A	156 (152)	175	359	226	24.5 (24.1)
32A	176 (172)	192	389	226	27.5 (27.1)
40A	196 (192)	192	389	226	28.0 (27.6)
50A	222 (218)	216	453	276	39.5 (39.3)
65A	282 (278)	251	507	352	68.0 (67.7)
80A	302 (294)	264	530	352	75.0 (72.8)
100A	342 (330)	321	613	401	114.5 (113.9)

• The above values in parentheses are the dimensions and weights of JIS 10K FF flanged.

