

# Ball Valves

# CAST CARBON STEEL VALVES

## Full port, Split body, Side entry design

### Features

- Antistatic device
- Blowout-proof stem
- Fire test certification\*
- Double "D" stem head
- High performance **HYPATITE®** PTFE ball seats
- Actuator mounting pad to KITZ standard

### Standard materials of parts

Parts	Materials
Body	A105 (1/2"-1 1/2")*1
	A216 Gr. WCB (2"-10")*1
Body cap	A105 (1/2"-1 1/2")*1
	A216 Gr. WCB (2"-10")*1
Stem	A276 Type 304*2
Ball	A276 Type 304/A351 Gr.CF8*2
Gland	A351 Gr. CF8
Gland packing	PTFE
Handle*3	Ductile iron
Name plate	Aluminum
Washer	Carbon steel
Gasket	PTFE
Packing washer (1/2"-1")	A276 Type 316
Ball seat	HYPATITE® PTFE
Cap nut	A194 Gr. 2H
Cap bolt	A193 Gr. B7
Gland bolt	Cr-Mo steel
Thrust washer (1 1/2"-10")	Reinforced PTFE
Snap ring	Carbon steel
Stopper	A276 Type 304
Stem bearing	Reinforced PTFE
Handle bolt	Carbon steel
Spring & pin (2 1/2"-10")	A313 & A276 Type 316
Spring (1/2"-2")	A313 Type 316

\*1 A350 or A352 low-temperature service materials are optionally available.

\*2 CF8M or Type 316 is optionally available for ball & stems.

\*3 Bar type handle is used for 6" and 8" Worm gear operators are used for 10"

**Fig. 150SCTB**



**Class 150**

### Dimensions

Valve Size	inch mm	Unit : mm										
		1/2	3/4	1	1 1/2	2	2 1/2	3	4	5	6	8
Ball Bore	15	20	25	40	50	65	80	100	125	150	200	250
L	108	117	127	165	178	190	203	229	356	394	457	533
H	102	105	124	115	120	155	165	200	220	295	355	Gear operation
D	130	130	160	230	230	400	460	460	460	1000	1500	Gear operation

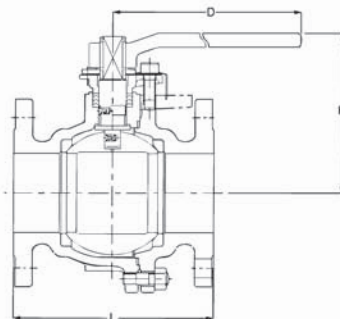
**Fig. 300SCTB**



**Class 300**

### Dimensions

Valve Size	inch mm	Unit : mm									
		1/2	3/4	1	1 1/2	2	2 1/2	3	4	6	8
Ball Bore	15	20	25	40	50	65	80	100	150	200	
L	140	152	165	190	216	241	283	305	403	502	
H	102	105	124	115	120	155	165	240	295	355	
D	130	130	160	230	230	400	400	750	1000	1500	



### Valve operator

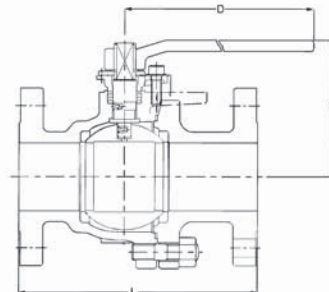
- 1/2"-8": Lever operation
- 6"-8": Optional gear operation
- 10": Standard gear operation

### Test pressure

- Shell (Hydrostatic): 3.10MPa (450psi)
- Seat (Air): 0.55MPa (80psi)

### Options

- \* Flexible graphite packing and gasket
- Ball and stem to CF8M (316)



### Valve operator

- 1/2"-8": Lever operation
- 6"-8": Optional gear operation

### Test pressure

- Shell (Hydrostatic): 7.76MPa (1125psi)
- Seat (Air): 0.55MPa (80psi)

### Options

- \* Flexible graphite packing and gasket
- Ball and stem to CF8M (316)

### Gear Operation

Valve Size (inch)	Class		Unit : mm			
	150	300	Gear Operator			
			H	D	C	A
6	6	337	310	165	65.5	
8	8	414	360	210	88.5	
10	-	477	500	363	93.5	