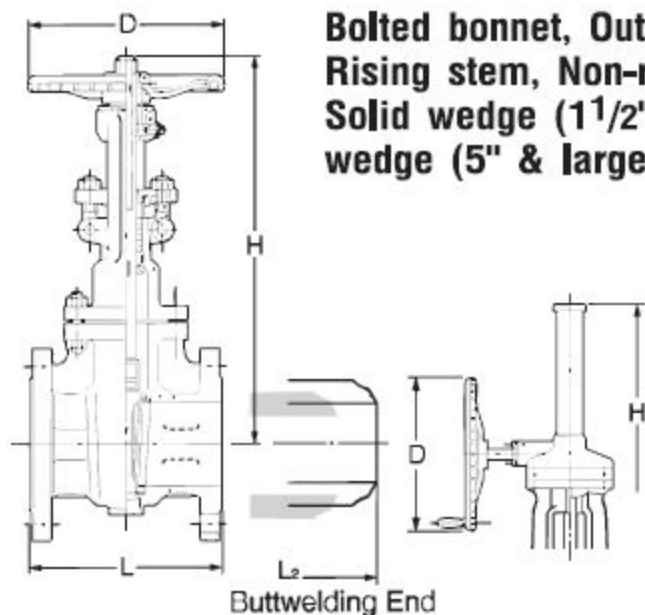


Fig. 150SCLS



Class 150



**Bolted bonnet, Outside screw-and-yoke,
Rising stem, Non-rising handwheel,
Solid wedge (1 1/2" to 4") or flexible
wedge (5" & larger).**

Gear Operation
Optional
for 14" to 24"
Standard
for 26" & larger

Buttwelding End

Dimensions

Valve Size	inch mm	mm																					
		1 1/2	2	2 1/2	3	4	5	6	8	10	12	14	16	18	20	22	24	26	28	30	32	34	36
L ₁	in.	6.50	7.00	7.50	8.00	9.00	10.00	10.50	11.50	13.00	14.00	15.00	16.00	17.00	18.00	19.00	20.00	22.00	24.00	24.00	26.00	28.00	28.00
	mm	165	178	190	203	229	254	267	292	330	356	381	406	432	457	483	508	559	610	610	660	711	711
L ₂	in.	-	8.50	9.50	11.14	12.00	15.00	15.86	16.50	18.00	19.76	22.50	24.00	26.00	28.00	30.00	32.00	34.00	36.00	36.00	38.00	40.00	40.00
	mm	-	216	241	283	305	381	403	419	457	502	572	610	660	711	762	813	864	914	914	965	1016	1016
H	in.	13.8	15.1	16.9	20.0	23.1	25.9	29.8	37.7	45.7	53.6	60.0	66.7	74.3	83.5	91.6	98.1	111.0	116.7	126.4	133.9	140.2	145.7
	mm	351	383	430	507	587	658	757	958	1162	1361	1523	1693	1887	2120	2326	2492	2820	2965	3210	3400	3560	3700
D	in.	7.1	7.9	7.9	9.8	9.8	11.8	11.8	13.8	15.7	17.7	19.7	23.6	23.6	26.8	26.8	29.9	19.7	23.6	23.6	23.6	23.6	23.6
	mm	180	200	200	250	250	300	300	350	400	450	500	600	600	680	680	760	500	600	600	600	600	600

Standard materials of parts

Parts	Materials
Body	ASTM A216 Gr.WCB
Bonnet	ASTM A216 Gr.WCB
Stem	ASTM A182 Gr.F6a
Disc	ASTM A182 Gr.F6a (1 1/2" ~ 4") ASTM A216 Gr.WCB+13Cr (5" & larger)
Body seat ring	ASTM A105 +HF
Gland	ASTM A182 Gr.F6a
Gland packing	Non asbestos
Gland flange	ASTM A105
Handwheel	Ductile iron
Gasket	Non asbestos
Bonnet bolt/nut	ASTM A193 Gr.B7/A194 Gr.2H
Gland bolt/nut	ASTM A576 Gr.1045/A194 Gr.2H
Bonnet bush	ASTM A182 Gr.F6a
Yoke sleeve	ASTM A439 Tp.D2
Grease nipple	Carbon steel