

TSD-42

Features

1. Stainless steel used for main parts, making a contribution to improved corrosion resistance.
2. Since it can operate under 425°C temperature and 4.2 MPa pressure conditions, it can be applied in various types of industries, such as heavy, light, and general industries.
3. Bimetal solves air-binding problem and ensures a smooth discharge of cold condensate or air at the start of operation, enabling steam equipment to efficiently start to run.
4. "Insulation cover" avoids frequent on-off operation.
5. Plumbing is easy to perform because it can be installed vertically or horizontally as desired.
6. Built-in strainer eliminates requirement for strainer before the trap.

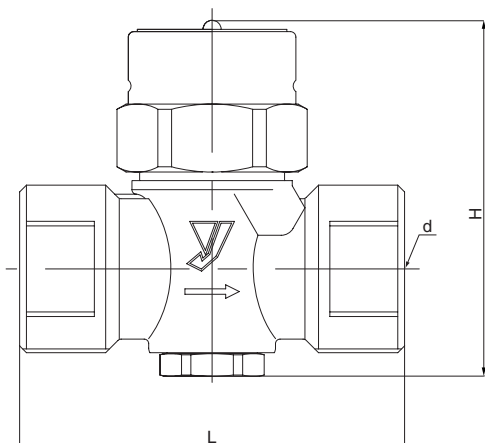


Specifications

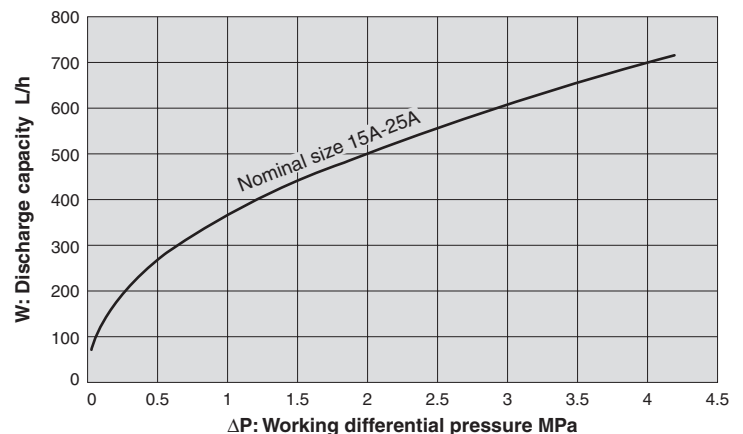
Model	TSD-42	
Application	Steam condensate	
Working pressure	0.035-4.2 MPa	
Allowable back pressure	50% or less of inlet pressure	
Maximum temperature	425°C	
Material	Body	Stainless steel (SCS2A)
	Disc, seat	Stainless steel (special heat treatment)
Connection	JIS Rc, NPT, BSPT screwed	

Dimensions (mm) and Weights (kg)

Nominal size	d	L	H	Weight
15A	Rc 1/2	78	76	0.6
20A	Rc 3/4	85	79	0.7
25A	Rc 1	95	89	0.9



Maximum Continuous Discharge Capacity



- To select the product size, secure the safety factor of 4 to 5. For example, if you need a steam trap with a capacity of 100 kg/h, the trap with a capacity of 400 to 500 kg/h should be selected for maximum efficiency.
- The back pressure (outlet pressure) should be considered in selecting discharge capacity. This is because discharge capacity of a trap depends on the operating differential pressure (the difference between the inlet and the outlet pressures). For example, to find the discharge capacity obtained by the inlet pressure is 1.0 MPa and the outlet pressure is 0.2 MPa, trace up from the point of the operating differential pressure of 0.8 MPa in the above chart.