

# Stainless Steel Ball Valve (Flanged)




## BLV-2SF series

### ◆ Features

BLV-2SF is a stainless-steel ball valve for wide application.

Yoshitake also offers automatic ball valves equipped with KA series pneumatic actuators or DA series electric actuators.

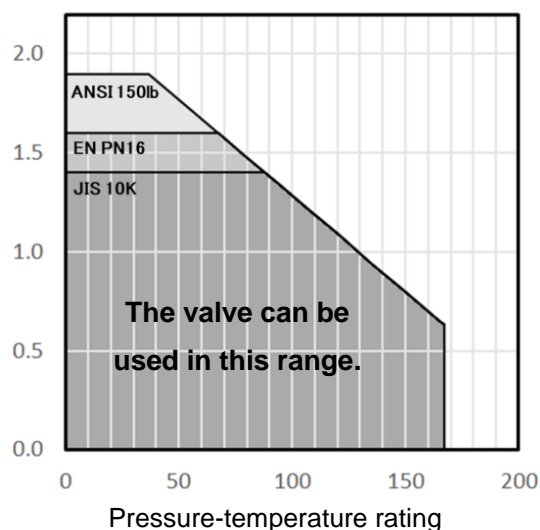
### ◆ Lineup

		BLV-2SF	KBLV-2SF	DBLV-2SF
BLV-2SF series				
Features		Stainless steel	Stainless steel, double action	Stainless steel, ON-OFF
Type		Ball valve	Pneumatic ball valve	Electric ball valve
Specs	Application fluid	Steam, water, oil, air and other non-dangerous fluids		
	Maximum pressure	According to the pressure-temperature rating		
	Maximum temperature			
	Connection	JIS 10K RF flanged ASME Class 150 flanged EN PN16 flanged		
Material	Body	SCS13A equivalent		
	Trim	SCS13A equivalent		

## BLV-2SF Stainless steel ball valve

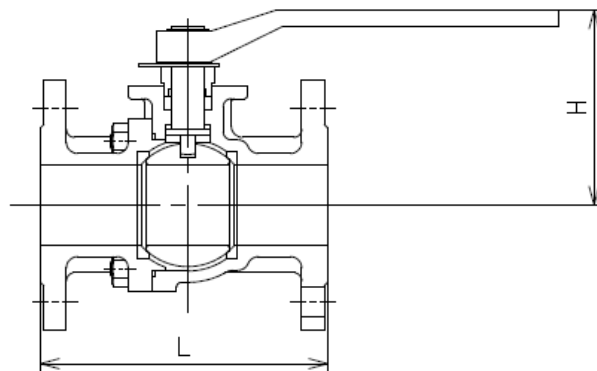
### ◆ Specifications

Model	BLV-2SF
Nominal size	15 - 100A
Application fluid	Steam (max. 0.5MPa), air, water, oil and other non-dangerous fluids
Connection	JIS 10K RF flanged ASME Class 150 flanged EN PN16 flanged
Maximum pressure Maximum temperature	According to the pressure-temperature rating
Valve material	Stainless steel
Seat material	PTFE



### ◆ Dimensions

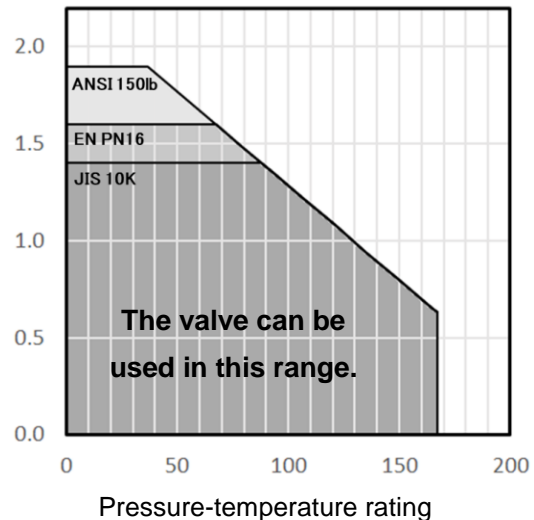
Nominal size	LxH (mm)
15A (1/2)	108x73
20A (3/4)	117x79
25A (1)	127x91
32A (1 1/4)	140x94
40A (1 1/2)	165x113
50A (2)	178x122
65A (2 1/2)	190x144
80A (3)	203x151
100A (4)	229x165



## KBLV-2SF Stainless steel pneumatic ball valve

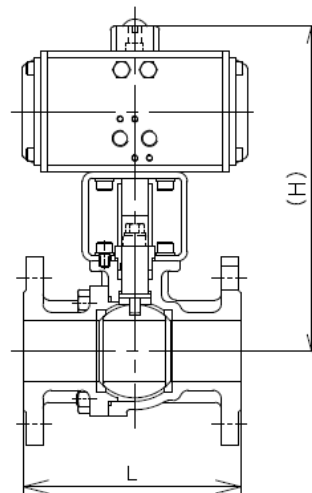
### ◆ Specifications

Model	KBLV-2SF
Nominal size	15 - 100A
Application fluid	Steam (max. 0.5MPa), air, water, oil and other non-dangerous fluids
Connection	JIS 10K RF flanged / ASME Class 150 flanged / EN PN16 flanged
Maximum pressure Maximum temperature	According to the pressure-temperature rating
Valve material	Stainless steel
Seat material	PTFE
Operating fluid	Air, nitrogen gas
Operating pressure	0.4 – 0.8MPa
Ambient temperature	-20 to 80°C
Operation	Double action, 90°



### ◆ Dimensions

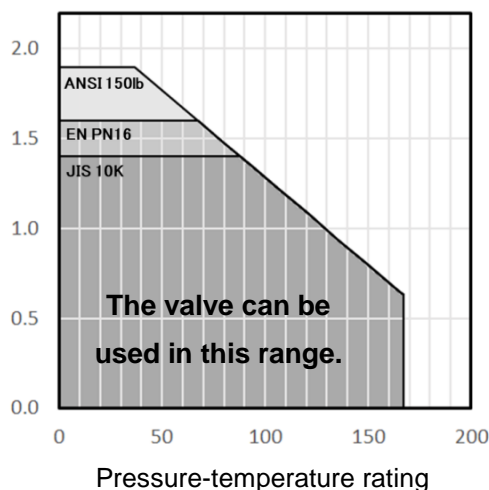
Nominal size	LxH (mm)
15A (1/2)	108x161
20A (3/4)	117x166
25A (1)	127x197
32A (1 1/4)	140x218
40A (1 1/2)	165x241
50A (2)	178x261
65A (2 1/2)	190x300
80A (3)	203x333
100A (4)	229x369



## DBLV-2SF stainless steel electric ball valve

### ◆ Specifications

Model	DBLV-2SF
Nominal size	15 - 100A
Application fluid	Steam (max. 0.5MPa), air, water, oil and other non-dangerous fluids
Connection	JIS 10K RF flanged / ASME Class 150 flanged / EN PN16 flanged
Maximum pressure Maximum temperature	According to the pressure-temperature rating
Valve material	Stainless steel
Seat material	PTFE
Voltage	15A - 25A: AC85V - AC265V 32A - 100A: AC220V (contact us for 100V and 200V)
Frequency	50/60Hz
Ambient temperature	-25 to 70°C
Operation	ON-OFF, 90° bi-directional rotation
Manual operation	Possible



### ◆ Dimensions

Nominal size	LxH (mm)	Power (W)
15A (1/2)	108x191	5
20A (3/4)	117x196	5
25A (1)	127x215	8
32A (1 1/4)	140x275	10
40A (1 1/2)	165x298	10
50A (2)	178x306	10
65A (2 1/2)	190x431	40
80A (3)	203x448	40
100A (4)	229x462	40

