

GLV-1

Wetted parts of GLV-1 are made of bronze or dezincification resistant brass.
Widely applicable for steam, air, water or oil application.

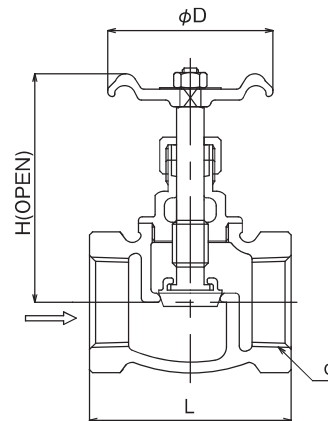
■Specifications

Application		Steam, Air, Cold and hot water, Oil, Other non dangerous fluids
Maximum pressure		1.0 MPa
Maximum temperature		185°C
Material	Body	Bronze
	Bonnet	Brass or bronze
	Disc	Brass or bronze
Connection		JIS Rc screwed

* Valve is closed at the time of shipment from factory.

■Dimensions (mm) and Weight (kg)

Nominal size	d	L	H	D	Weight
15A	Rc 1/2	50	76	54	0.3
20A	Rc 3/4	57	86	61	0.4
25A	Rc 1	65	100	68	0.6
32A	Rc 1-1/4	75	123	77	0.9
40A	Rc1-1/2	85	135	77	1.1
50A	Rc 2	100	159	83	1.7



GLV-16

Wetted parts of GLV-16 are made of ductile cast iron.
Widely applicable for steam, air, water or oil application.

■Specifications

Application		Steam, Air, Cold and hot water, Oil, Other non dangerous fluids
Maximum pressure		2.2 MPa
Maximum temperature		220°C
Material	Body	Ductile cast iron
	Bonnet	Ductile cast iron
	Disc	Stainless steel
Connection		JIS Rc screwed

■Dimensions (mm) and Weights (kg)

Nominal size	d	L	H	D	Weight
15A	Rc 1/2	75	126	83	0.9
20A	Rc 3/4	90	135	105	1.1
25A	Rc 1	105	150	112	1.7
32A	Rc 1-1/4	120	162	132	2.7
40A	Rc1-1/2	135	183	132	3.8
50A	Rc 2	160	186	132	5.6

